

PSEN Cable M8 8p

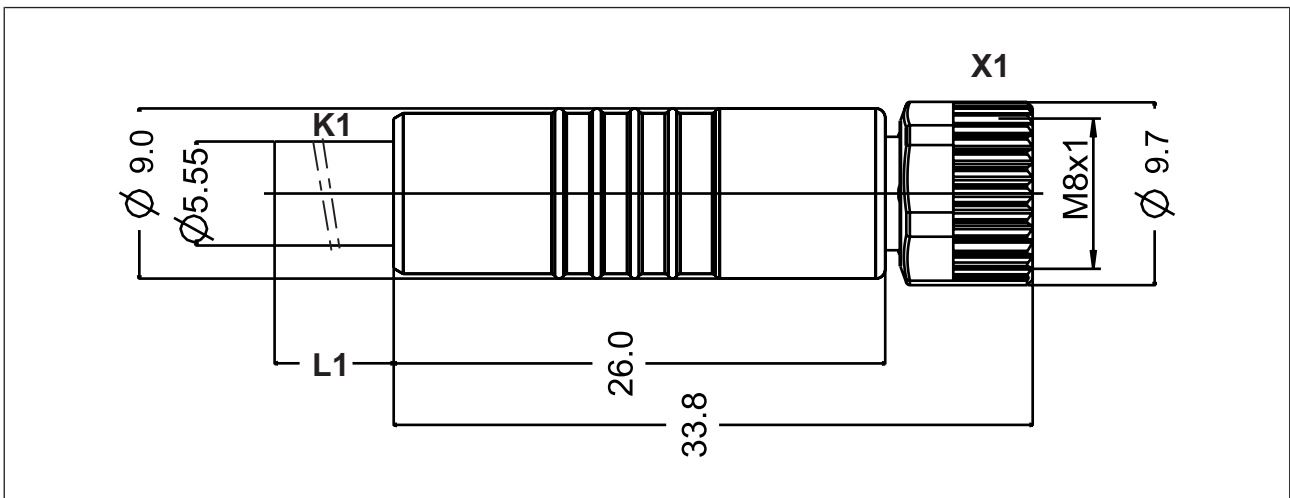
Connector pin assignment

Colour coding	
1	white
2	brown
3	green
4	yellow
5	grey
6	pink
7	blue
8	red

Plan view plug-in connector X1

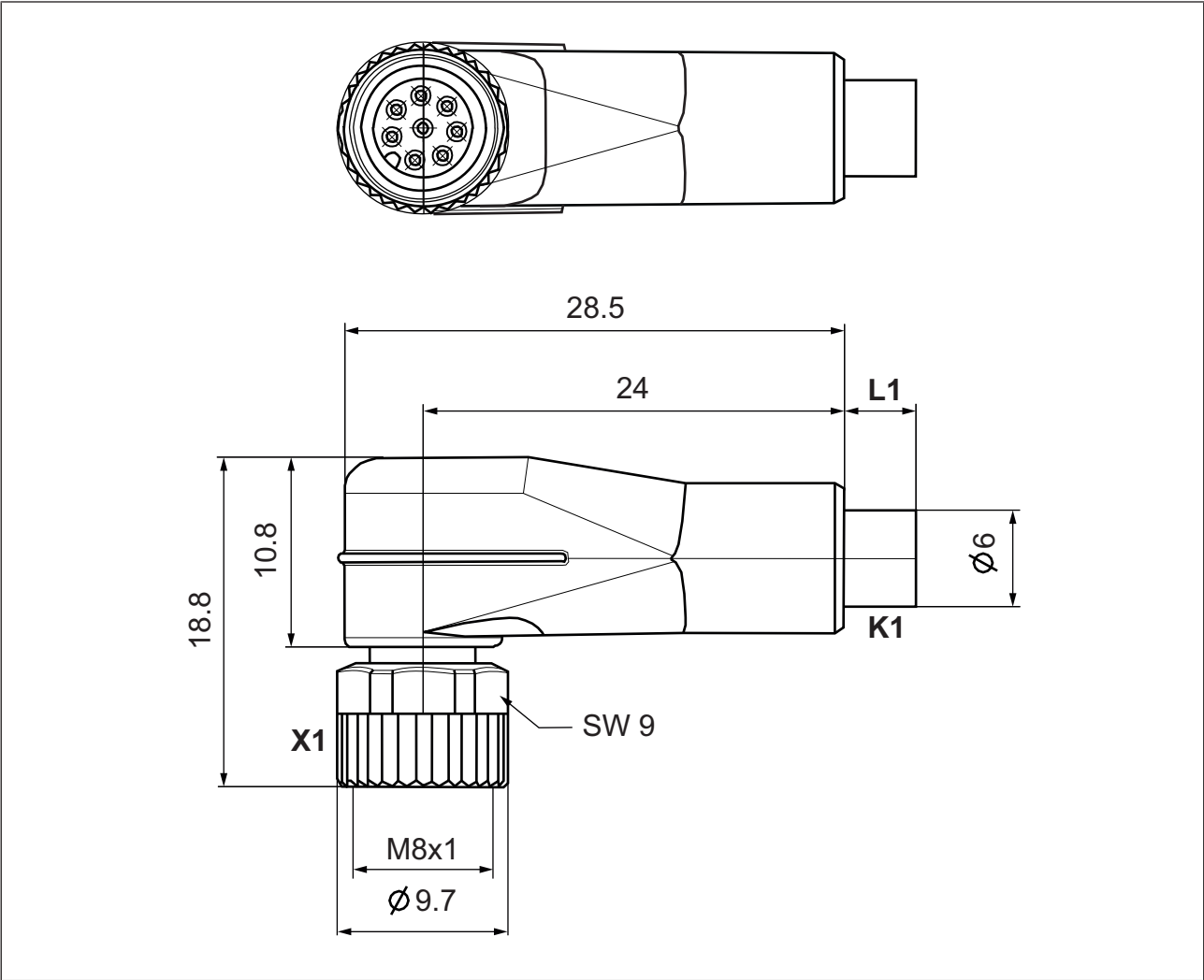
Dimensions in mm

- ▶ M8 female connector, straight



PSEN Cable M8 8p

- ▶ M8 female connector, angled



PSEN Cable M8 8p

Technical details Order no. 533150 - 533152

General	533150	533151	533152
Approvals	cULus Recognized	cULus Recognized	cULus Recognized
Electrical data	533150	533151	533152
Rated voltage			
Voltage UB	30 V	30 V	30 V
Rated current	1,5 A	1,5 A	1,5 A
Test voltage	3.000 V	3.000 V	3.000 V
Typ. conductor resistance K1	138 Ohm/km	138 Ohm/km	138 Ohm/km
Insulation resistance	100 MOhm	100 MOhm	100 MOhm
Volume resistance	3 mOhm	3 mOhm	3 mOhm
Specific volume resistance K1	$\geq 7E+15$ Ohm*cm	$\geq 7E+15$ Ohm*cm	$\geq 7E+15$ Ohm*cm
Specific cable capacitance K1	57,5pF/m	57,5pF/m	57,5pF/m
Environmental data	533150	533151	533152
Temperature when using in the drag chain	-25 - 60 °C	-25 - 60 °C	-25 - 60 °C
Ambient temperature			
Temperature range	-25 - 80 °C	-25 - 80 °C	-25 - 80 °C
Airgap creepage			
Pollution degree	3	3	3
Protection type			
X1 when inserted	IP67	IP67	IP67
Housing	IP67	IP67	IP67
Mechanical data	533150	533151	533152
Plug-in connector X1	M8, 8-pin female connector	M8, 8-pin female connector	M8, 8-pin female connector
Form, plug-in connector X1	Straight	Straight	Straight
Material of ring nut X1	GD-Zn, Ni	GD-Zn, Ni	GD-Zn, Ni
Housing material X1	PUR	PUR	PUR
Material of contact surface X1	Au	Au	Au
Material of socket	CuSn	CuSn	CuSn
Conductor material K1	Cu	Cu	Cu
Insulating cover for conductor K1	PP (9Y)	PP (9Y)	PP (9Y)
Mating cycles X1	100	100	100
Cable type K1	LiF9Y11Y	LiF9Y11Y	LiF9Y11Y
Cable length L1	2 m	5 m	10 m

PSEN Cable M8 8p

Mechanical data	533150	533151	533152
Colour of external cable insulation K1	Yellow, similar to RAL1003	Yellow, similar to RAL1003	Yellow, similar to RAL1003
Colour of housing	black	black	black
Min. bending radius (fixed permanently) K1	5 x Ø	5 x Ø	5 x Ø
Min. bending radius (moving) K1	10 x Ø	10 x Ø	10 x Ø
Cable insulation material K1	PUR, TPU / TPE-U	PUR, TPU / TPE-U	PUR, TPU / TPE-U
Drag chain suitable K1	yes	yes	yes
Cable diameter K1	5,55 mm	5,55 mm	5,55 mm
Max. cable diameter K1	5,7 mm	5,7 mm	5,7 mm
Conductor cross section K1	0,14 mm²	0,14 mm²	0,14 mm²
Conductor cross section AWG K1	26	26	26
Wire colour K1	White, brown, green, yellow, grey, pink, blue, red	White, brown, green, yellow, grey, pink, blue, red	White, brown, green, yellow, grey, pink, blue, red
Stranding K1	8 cores around plastic filler	8 cores around plastic filler	8 cores around plastic filler
Shielding K1	No	No	No
Wire layer separation K1	No	No	No
No. of wires K1	8	8	8
Approval cable K1	UL AWM-Style 20233, UL/CSA	UL AWM-Style 20233, UL/CSA	UL AWM-Style 20233, UL/CSA
Approval of plug-in connector X1	UL 94 HB	UL 94 HB	UL 94 HB
Halogen-free	yes	yes	yes
Silicone-free	yes	yes	yes
Oil resistance	Resistant	Resistant	Resistant
Non-flammability	UL VW1	UL VW1	UL VW1
Material			
Housing	PUR	PUR	PUR
Weight	82 g	188 g	370 g

PSEN Cable M8 8p

Technical details Order no. 533153 - 533162

General	533153	533154	533162
Approvals	cULus Recognized	cULus Recognized	-
Electrical data	533153	533154	533162
Rated voltage			
Voltage UB	30 V	30 V	30 V
Rated current	1,5 A	1,5 A	1,5 A
Test voltage	3.000 V	3.000 V	3.000 V
Typ. conductor resistance K1	138 Ohm/km	138 Ohm/km	138 Ohm/km
Insulation resistance	100 MOhm	100 MOhm	100 MOhm
Volume resistance	3 mOhm	3 mOhm	3 mOhm
Specific volume resistance K1	$\geq 7E+15$ Ohm*cm	$\geq 7E+15$ Ohm*cm	$\geq 7E+15$ Ohm*cm
Specific cable capacitance K1	57,5pF/m	57,5pF/m	57,5pF/m
Environmental data	533153	533154	533162
Temperature when using in the drag chain	-25 - 60 °C	-25 - 60 °C	-25 - 60 °C
Ambient temperature			
Temperature range	-25 - 80 °C	-25 - 80 °C	-25 - 80 °C
Airgap creepage			
Pollution degree	3	3	3
Protection type			
X1 when inserted	IP67	IP67	IP67
Housing	IP67	IP67	IP67
Mechanical data	533153	533154	533162
Plug-in connector X1	M8, 8-pin female connector	M8, 8-pin female connector	M8, 8-pin female connector
Form, plug-in connector X1	Straight	Straight	Angled
Material of ring nut X1	GD-Zn, Ni	GD-Zn, Ni	GD-Zn, Ni
Housing material X1	PUR	PUR	PUR
Material of contact surface X1	Au	Au	Au
Material of socket	CuSn	CuSn	CuSn
Conductor material K1	Cu	Cu	Cu
Insulating cover for conductor K1	PP (9Y)	PP (9Y)	PP (9Y)
Mating cycles X1	100	100	100
Cable type K1	LiF9Y11Y	LiF9Y11Y	LiF9Y11Y
Cable length L1	20 m	30 m	10 m

PSEN Cable M8 8p

Mechanical data	533153	533154	533162
Colour of external cable insulation K1	Yellow, similar to RAL1003	Yellow, similar to RAL1003	Yellow, similar to RAL1003
Colour of housing	black	black	black
Min. bending radius (fixed permanently) K1	5 x Ø	5 x Ø	5 x Ø
Min. bending radius (moving) K1	10 x Ø	10 x Ø	10 x Ø
Cable insulation material K1	PUR, TPU / TPE-U	PUR, TPU / TPE-U	PUR, TPU / TPE-U
Drag chain suitable K1	yes	yes	yes
Cable diameter K1	5,55 mm	5,55 mm	5,55 mm
Max. cable diameter K1	5,7 mm	5,7 mm	5,7 mm
Conductor cross section K1	0,14 mm²	0,14 mm²	0,14 mm²
Conductor cross section AWG K1	26	26	26
Wire colour K1	White, brown, green, yellow, grey, pink, blue, red	White, brown, green, yellow, grey, pink, blue, red	White, brown, green, yellow, grey, pink, blue, red
Stranding K1	8 cores around plastic filler	8 cores around plastic filler	8 cores around plastic filler
Shielding K1	No	No	No
Wire layer separation K1	No	No	No
No. of wires K1	8	8	8
Approval cable K1	UL AWM-Style 20233, UL/CSA	UL AWM-Style 20233, UL/CSA	UL AWM-Style 20233, UL/CSA
Approval of plug-in connector X1	UL 94 HB	UL 94 HB	UL 94 HB
Halogen-free	yes	yes	yes
Silicone-free	yes	yes	yes
Oil resistance	Resistant	Resistant	Resistant
Non-flammability	UL VW1	UL VW1	UL VW1
Material			
Housing	PUR	PUR	PUR
Weight	719 g	1.065 g	372 g

PSEN Cable M8 8p

Order reference

Product type	Features	Connector X1	Order No.
PSEN cable M8-8sf, 2m	2 m	M8 female connector, straight	533 150
PSEN cable M8-8sf, 5m	5 m	M8 female connector, straight	533 151
PSEN cable M8-8sf, 10m	10 m	M8 female connector, straight	533 152
PSEN cable M8-8af, 10m	10 m	M8 female connector, angled	533 162
PSEN cable M8-8sf, 20m	20 m	M8 female connector, straight	533 153
PSEN cable M8-8sf, 30m	30 m	M8 female connector, straight	533 154